



• MDF • PB • OSB • INS. BOARD • PALLET BLOCKS • PELLETS • WASTE • LIME



IMAL  
PAL  
GROUP

## FERROUS METALS REMOVERS

### OVERBELT MAGNETS – OBM

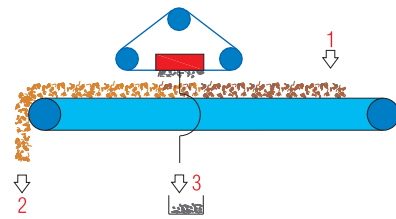
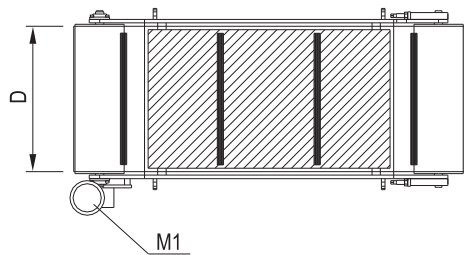
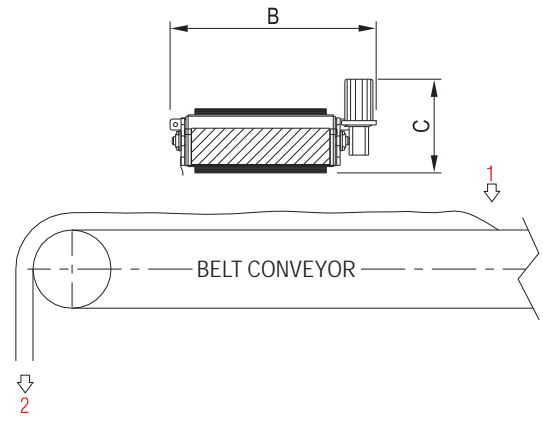
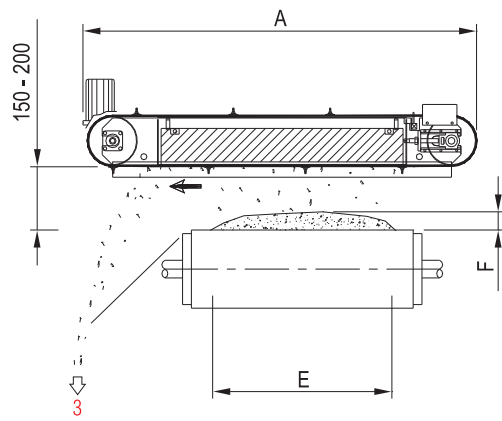
FOR CHIPS, SAWDUST AND PARTICLES

#### TECHNICAL FEATURES

• Strong magnetic plate (HG) • Deferrizing overbelt • Drive system • Assembled unit complete of containment box.

#### BENEFITS

• High efficiency and reliability • Removal of ferrous pollutants from chips, sawdust and particles, e.g. during transport with belt conveyors • Simple installation • Low maintenance.



1= POLLUTED MATERIAL      3= FERROUS METAL REMOVED  
 2= CLEANED MATERIAL      M1= MAIN MOTOR



2

3

MODEL	OVERALL DIMENSIONS mm			
	A	B	C	D
<b>OBM.100/135-HG-VHG</b>	2425	1490	684	1050
<b>OBM.100/175-HG-VHG</b>	2820	1490	682	1050
<b>OBM.100/220-HG-VHG</b>	3270	1490	682	1050
<b>OBE.90/100</b>	2374	1462	810	950
<b>OBE.90/120</b>	2574	1462	810	950
<b>OBE.90/140</b>	2774	1462	810	950
<b>OBE.90/175</b>	3124	1462	780	950

MODEL	CAPACITY BULK CHIPS			INSTALLED POWER kW		WEIGHT APPROX. kg
	m <sup>3</sup> /h	E mm	F mm	M1 MAIN MOTOR	M2 ELECTROMAGNET	
<b>OBM.100/135-HG-VHG</b>	Assessable according to (E), (F) and conveying speed	< 1000	50 - 80	2,2	-	2350
<b>OBM.100/175-HG-VHG</b>		< 1400	50 - 80	2,2	-	3000
<b>OBM.100/220-HG-VHG</b>		< 1900	50 - 80	2,2	-	3800
<b>OBE.90/100</b>		< 800	80 - 120	2,2	4,2	2870
<b>OBE.90/120</b>		< 1000	80 - 120	2,2	4,5	3350
<b>OBE.90/140</b>		< 1200	80 - 120	2,2	5	3840
<b>OBE.90/175</b>		< 1600	80 - 120	2,2	7,5	4810