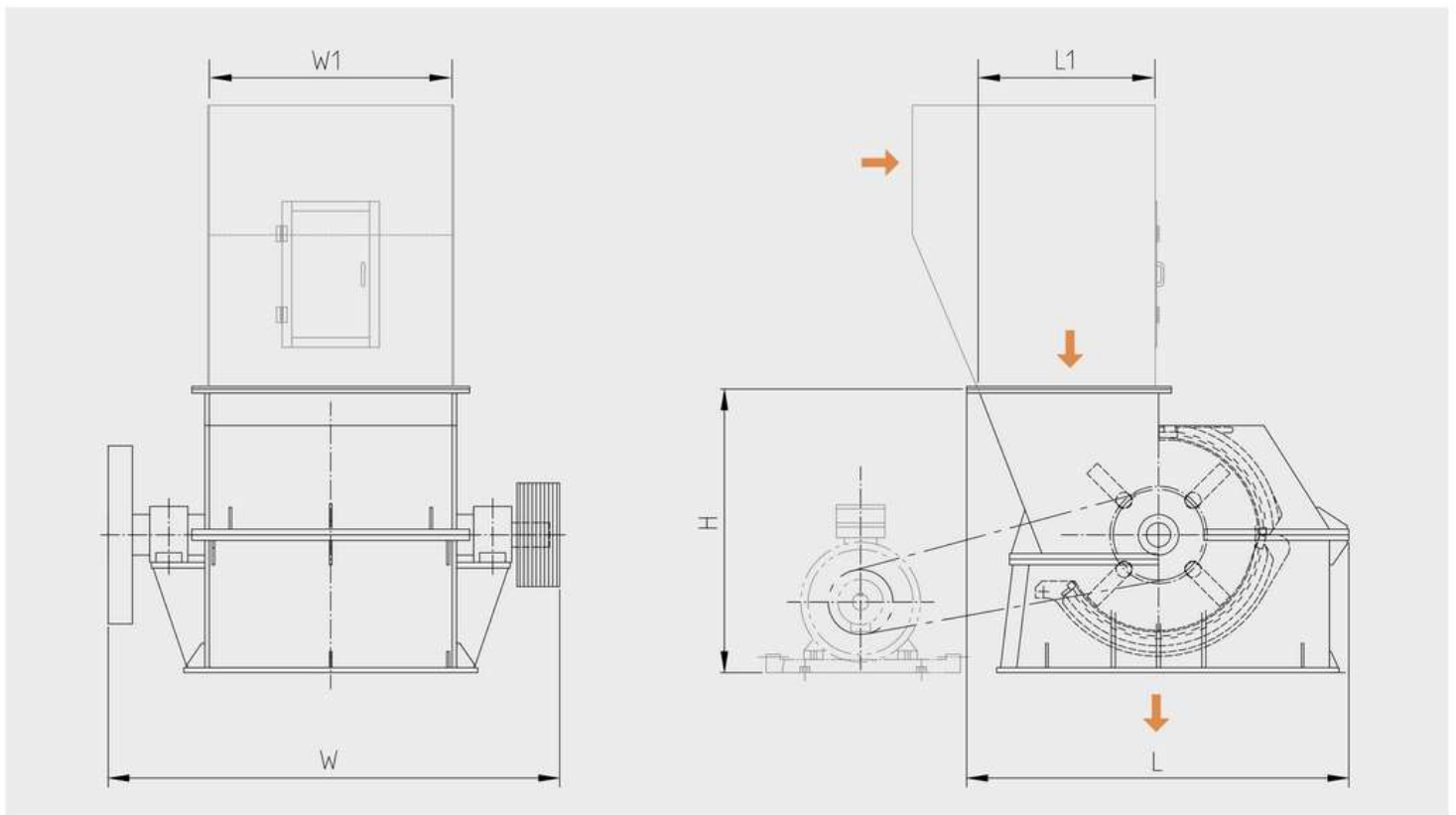


Type Rotor/Infeed opening mm Ø / L1 x W1	Main drive kW	Capacity ¹ t/h b.d.	Dimensions ² m (L x W x H)	Weight ² approx. t
SRV 600 / 300 x 650	75 - 110	1 - 3	1.1 x 1.5 x 1.0	2.3
SRV 800 / 300 x 700	75 - 132	3 - 6	1.7 x 1.3 x 1.2	4.5
SRV 1000 / 700 x 1200	110 - 160	6 - 10	2.6 x 2.6 x 1.6	8.0
SRV 1200 / 850 x 1500	160 - 250	10 - 15	2.7 x 3.1 x 1.8	12.0
SRV 1200 / 850 x 2000	250 - 315	15 - 25	2.7 x 3.6 x 1.8	16.0
SRV 1600 / 850 x 2000	400 - 630	25 - 40	3.2 x 3.6 x 2.4	20.0

1) Depending on input and size of output material

2) Dimensions and weight of basic machine without main motor and infeed hopper

Technische Daten Schlagrotor (vertikal)



Technische Zeichnung Schlagrotor (vertikal)