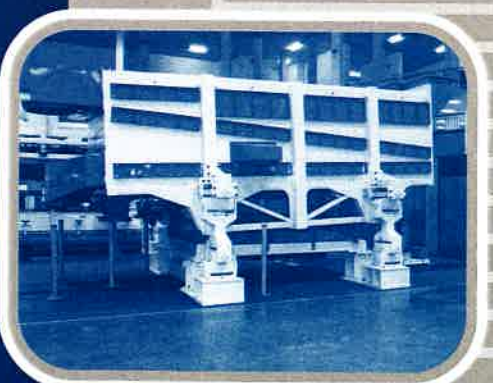
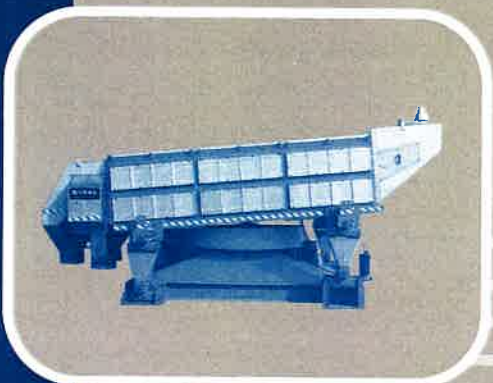


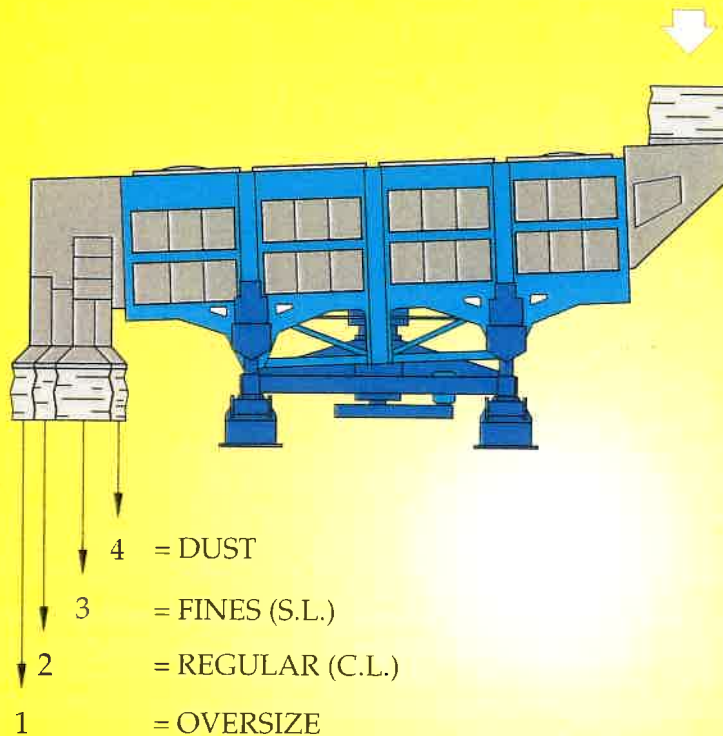
# OSCILLATING SCREENS





# SUPERSCREENS 26-13

## The Giant



### SUPERSCREENS 26-13

High performance, oscillating and specific wide-surface screens. 4 elastic suspension systems support and ensure perfect stability to the exceptionally solid screening box. A pyramid base houses the eccentric oscillating kinematic system, the motor and the drive transmission. The machine's structural elements and dynamic balancing have been computer calculated using complex mathematical models and programs.

This highly advanced procedure makes the structure extremely resistant to extensive oscillation and offers perfect balancing and guarantees excellent stability and functioning with the sole support from the base. All the screens are fitted over box-shaped stainless steel tube frames that can be easily removed bi-laterally.

#### Exceptional results

1. Large screening surface
2. Extensive eccentric oscillating
3. Perfect balancing.  
The machine is so perfectly balanced that a vertically-placed coin on the base will not fall whilst the machine is running.
4. Quick and easy screen replacing system.
5. Unrivalled warranty for mechanical parts
6. Unbeatable performance
7. High efficiency

#### Options

- AC: self-cleaning ball-bouncing system for screens
- AF: Built-in sprinkler fire-fighting system
- AE: Built-in anti-explosion system using pre-established breaking-point metal sheets.

Are 250 references including leading latest generation particleboard plants sufficient to qualify us as the market leaders in screening system?

The answer can only be YES.



# Perfect.

**PAL S.r.l.** - Via delle Industrie 6/B  
I - 31047 Ponte di Piave (Tv) - ITALY  
Phone ++.39.422.853 316  
Fax ++.39.422.853 444  
E-MAIL: pal @pn.itnet . it

# SCREENS PERFORMANCE

## DRY PARTICLES

### Requirements

- Bulk density 130-150 kg/m<sup>3</sup> bd
- Moisture content ≤ 3% bd
- Fractions 4 (5)
- Oversize removed 10-15%

SCREEN		m <sup>2</sup> [1]	CAPACITY – m <sup>3</sup> /h, bulk																								
			40	50	60	70	80	90	100	110	120	130	140	150	160	170	180	190	200	210	220	230	240				
<b>VME</b>	VME-8	8																							# 1.6		
																											# 1.4
																											# 1.2
<b>VME</b>	VME-16	16																								# 1.6	
																											# 1.4
																											# 1.2
<b>SUPERSCREENS</b>	SUPER-13	13																								# 1.6	
																											# 1.4
																											# 1.2
<b>SUPERSCREENS</b>	SUPER-21	21																								# 1.6	
																											# 1.4
																											# 1.2
<b>SUPERSCREENS</b>	SUPER-26	26																								# 1.6	
																											# 1.4
																											# 1.2
<b>SUPERSCREENS</b>	SUPER-32	32																								# 1.6	
																											# 1.4
																											# 1.2
<b>MULTI CROSS</b>	MULTI-41	42																								# 1.4 Macro # 0.8 Micro	
	MULTI-52	51																								# 1.4 Macro # 0.8 Micro	

[1] Specific surface for each screening deck or double-deck, absolutely net from screen frames !

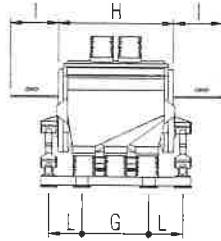
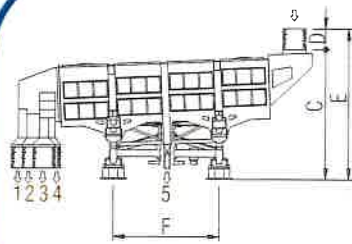
[2] Lower capacity for light-fibering particles, i.e. from light wood.

Higher capacity for non fibering particles, i.e. from hardwood.



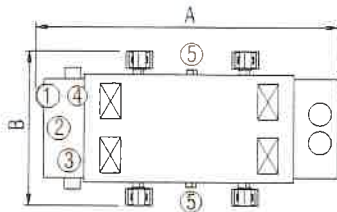
# SUPERSCREENS 21-26-32

2-Stage Screens - 21-26-32 m<sup>2</sup> each double deck



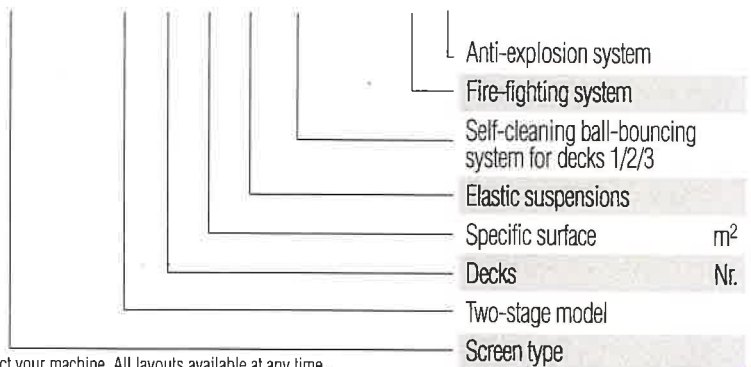
1...5 = Fractions

G.VARCIHIV2540022.DWG



## READING KEY & AVAILABLE OPTIONS

### Available options SUPERSCREEN-DP-3P-32-EJ-AC/1/2/3-AF-AE

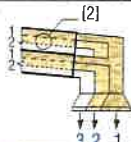


Pls select your machine. All layouts available at any time.

MODEL	OVERALL DIMENSIONS mm										INSTALLED POWER kW	WEIGHT approx. kg
	A	B	C	D	E	F	G	H	I	L	M1	
SUPERSCREEN DP-2P-21-EJ	8440	3860	3660	600	4260	2980	1900	2560	1250	740	11,0	15000
SUPERSCREEN DP-3P-21-EJ	8485	3860	3660	600	4260	2980	1900	2560	1250	740	11,0	15300
SUPERSCREEN DP-3P/5-21-EJ	8485	3860	3660	600	4260	2980	1900	2560	1250	740	11,0	15300
SUPERSCREEN DP-2P-26-EJ	8440	4300	3660	600	4260	2980	1900	3000	1500	960	15,0	16600
SUPERSCREEN DP-3P-26-EJ	8520	4300	3660	600	4260	2980	1900	3000	1500	960	15,0	17100
SUPERSCREEN DP-3P/5-26-EJ	8520	4300	3660	600	4260	2980	1900	3000	1500	960	15,0	17100
SUPERSCREEN DP-4P-26-EJ	8620	4300	3780	600	4380	2980	1900	3000	1500	960	15,0	17600
SUPERSCREEN DP-2P-32-EJ	8450	5050	3660	600	4260	2980	1900	3750	1875	1335	18,5	17400
SUPERSCREEN DP-3P-32-EJ	8640	5050	3660	600	4260	2980	1900	3750	1875	1335	18,5	18000
SUPERSCREEN DP-3P/5-32-EJ	8640	5050	3660	600	4260	2980	1900	3750	1875	1335	18,5	18000

### For dry particles

#### 2 double decks



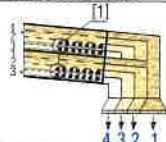
3 Fractions

SUPERSCREEN-DP-2P-21-EJ...

SUPERSCREEN-DP-2P-26-EJ...

SUPERSCREEN-DP-2P-32-EJ...

#### 3 double decks



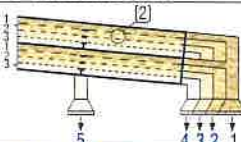
4 Fractions

SUPERSCREEN-DP-3P-21-EJ...

SUPERSCREEN-DP-3P-26-EJ...

SUPERSCREEN-DP-3P-32-EJ...

#### 3 double decks



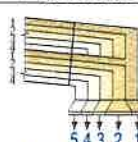
5 Fractions [option]

SUPERSCREEN-DP-3P/5-21-EJ...

SUPERSCREEN-DP-3P/5-26-EJ...

SUPERSCREEN-DP-3P/5-32-EJ...

#### 4 double decks



5 Fractions

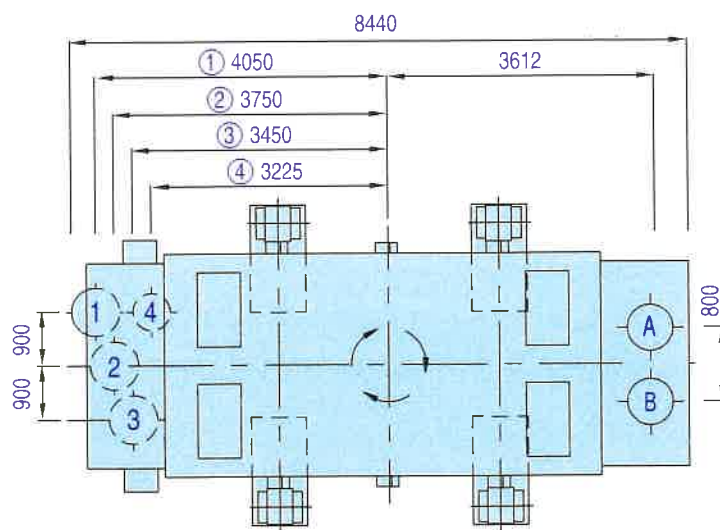
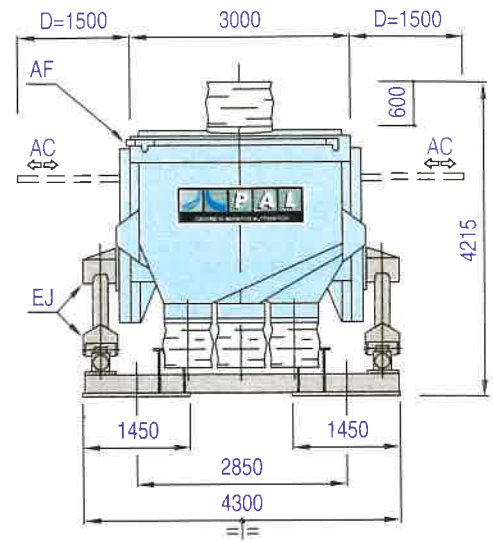
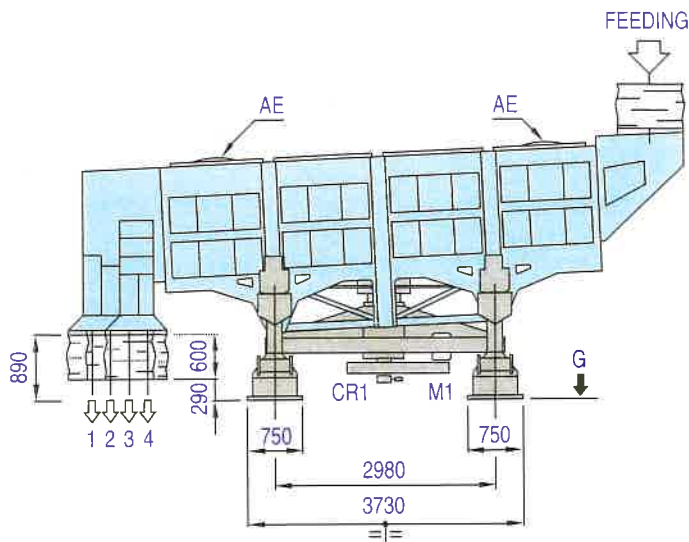
SUPERSCREEN-DP-4P-26-EJ...

(1) AC : Self-cleaning ball-bouncing system for screens available for all decks.

(2) A wide range of mesh sizes are available for any screening needs.

Not binding data. We reserve the right of modification at any time without prior notice.

# SUPERSCREEN 26



## SCREENING SURFACE

**26** m<sup>2</sup> - Each double deck  
**78** m<sup>2</sup> - Total

## PERFORMANCE

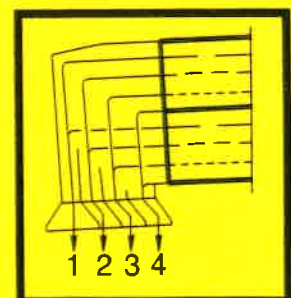
**160/200** m<sup>3</sup>/h - dry particles

## SUPERSCREEN DP-3P-26-EJ

- A** = Upper stage feeding
- B** = Lower stage feeding
- AC** = Removable screens  
(self cleaning ball- bouncing system is available)
- D** = Screens replacement
- EJ** = Super elastic suspensions system
- AE** = Anti-explosion system
- AF** = Fire-fighting system - DN50 mm
- G** = Estimated weight - 15500 kg
- M1** = Drive motor - 15 kW
- CR1** = Rotation control

## 4 FRACTIONS

**3 DOUBLE DECKS**



- A.** FEEDING 50%.....: Ø 650
- B.** FEEDING 50%.....: Ø 650
- 1.** OVERSIZE.....: Ø 650
- 2.** CORE LAYER.....: Ø 650
- 3.** SURFACE LAYER: Ø 650
- 4.** DUST.....: Ø 500